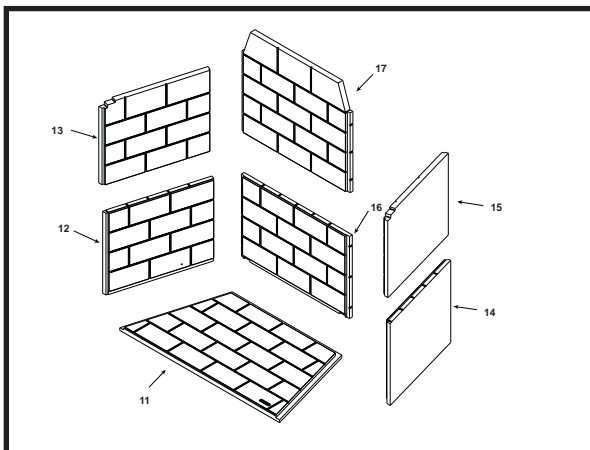
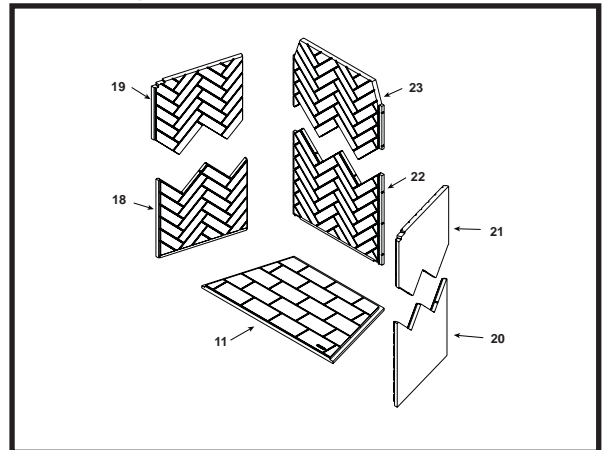


Traditional Molded Brick Panel



Herringbone Molded Brick Panel



Part numbers on following page.

IMPORTANT: THIS IS DATED INFORMATION. When requesting service or replacement parts for your appliance please provide model number and serial number. All parts listed in this manual may be ordered from an authorized dealer.



**Stocked
at Depot**

ITEM	DESCRIPTION	COMMENTS	PART NUMBER	
1	Transition Assembly		4059-044	
2	Outer Transition Assembly		24377	
3	Inner Transition Collar		4059-148	
4	Damper Blade Assembly		4059-030	
5	Damper Control		35159	
6	Outside Air Collar Assembly	Qty 2 req	4059-037	
7	OA Door	Qty 2 req	4059-049	
8	Screen Rod	Qty 2 req	4059-312	Y
	Screen Rod Clips	Qty 2 req	4059-111	
9	Firescreen Assembly	Qty 2 req	4059-028	Y
10	Grate Assembly		GR29	
11	Hearth Molded Brick Panel		4059-033	
Traditional Molded Brick Panel				
12	Lower Left Panel		4059-350	
13	Upper Left Panel		4059-351	
14	Lower Right Panel		4059-352	
15	Upper Right Panel		4059-353	
16	Lower Rear Panel		4059-354	
17	Upper Rear Panel		4059-355	
Herringbone Molded Brick Panel				
18	Lower Left Panel		4059-357	
19	Upper Left Panel		4059-358	
20	Lower Right Panel		4059-359	
21	Upper Right Panel		4059-360	
22	Lower Rear Panel		4059-361	
23	Upper Rear Panel		4059-362	
	Refractory Fastener Pack		4059-043	
	Contains:25 #6 X 1 1/2" Panhead screw, 3/32" Drill Bit, 17 T- Brackets, 2 Y-Brackets, 6 Clips,			
	Mortar	25 LB Box	4059-316	
	Outside Air Hood	Qty 2 req	4059-051	