

heatilator[®]
The first name in fireplaces

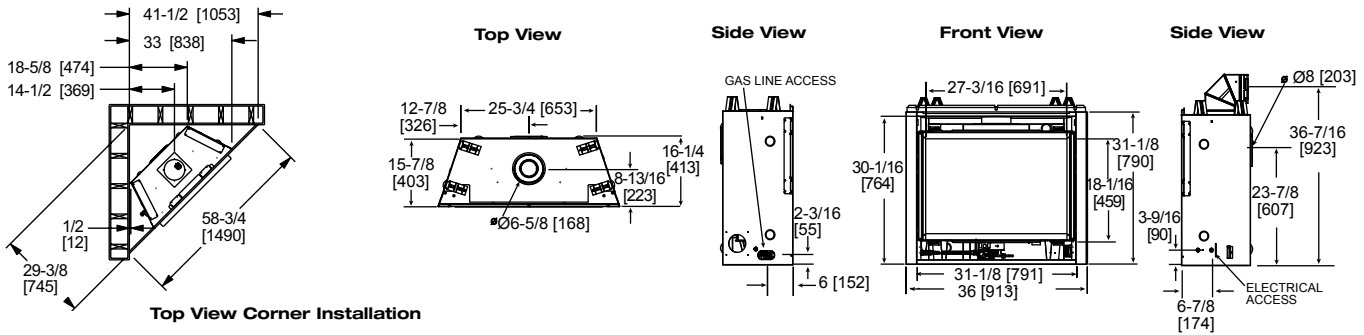


DV3732SBI

direct vent gas fireplace

DV3732SBI Specifications

MODEL	FRONT WIDTH		BACK WIDTH		HEIGHT		DEPTH		GLASS SIZE	BTU/HR INPUT
	Unit	Framing	Unit	Framing	Unit	Framing	Unit	Framing		
DV3732SBI	36	37	25-3/4	37	34-3/8	34-3/4	16-1/4	16-1/4	30-1/2 x 21	(NG) 13,500 - 19,100 (LP) 14,500 - 19,300



Dimensions above are in inches and millimeters. Product information provided is not complete and is subject to change without notice. Product installation must adhere strictly to instructions accompanying product. We recommend measuring individual units at installation. Assumes the use of 1/2" Sheetrock. NOTE: Combustible material should not be installed over the face. Make sure you do NOT cover the decorative door opening.

Refer to installation manual for detailed specifications on installing this product. Heatilator reserves the right to update units periodically. The flame and ember appearance may vary based on the type of fuel burned and the venting configuration used. Actual product appearance, including flame, may differ from product images.

Features

- 16-1/4" deep profile—perfect for smaller space requirements
- Flex line and gas shut off for fast plumbing rough-in
- Installed junction box for optional blower or remote control
- Adjustable valve
- In case of a power failure, Heatilator gas fireplaces with standard IntelliFire ignition will continue to operate
- Screen mesh eliminates glass glare and provides a measure of protection from accidental contact
- Ships with standard louvers and firescreen
- 3-piece, 3-inch black or brushed stainless steel metal trim kit provides cost-effective transition from unit to wall (550-Trim3-BK, 550-Trim4-BK, 550-Trim3-SS, 550-Trim4-SS)

Optional Trim Kits



550-Trim4-SS shown with standard louvers



550-Trim3-BK shown with standard louvers

Cover: DV3732SBI shown with standard front, yorktown mantel and slate stone.

IntelliFire™

Our exclusive, state-of-the-art, IntelliFire ignition system reduces gas consumption and thermogenerator wear by providing a pilot flame only when needed. It also supplies a back-up battery system to run the fireplace during a power outage.

U.S. Efficiencies

Steady State - Since most homeowners use their fireplaces for an extended time while they are in the room, Steady State measures how efficiently your fireplace converts fuel to heat once it is warmed up and running in a "steady state".

AFUE - AFUE rating is more typically used with appliances, like your furnace, that continually cycle on and off to maintain a constant temperature.

RATING	NG	LP
Steady State	70.6%	70.6%
AFUE	50.4%	56.9%

Canada Efficiencies

EnerGuide (CSA P.4.1-02) - EnerGuide is a rating used in Canada to measure annual fireplace efficiency.

RATING	NG	LP
EnerGuide (CSA P.4.1-02)	52.4%	56.4%

Available From

heatilator
The first name in fireplaces

a brand of
 Hearth & Home Technologies Inc.®

1915 West Saunders Street
 Mt. Pleasant, Iowa 52641
 800-927-6841 | heatilator.com

- facebook.com/Heatilator
- twitter.com/Heatilator
- youtube.com/HeatilatorFireplaces

HTL-1069U-1111

Limited Lifetime Warranty*

The strongest in the industry, Heatilator provides a limited lifetime warranty on the most important aspects: firebox and heat exchanger.

*For full warranty details go to heatilator.com.

The information provided in this literature is for planning purposes only and subject to change. Please consult the installation manual for actual installation. Actual product appearance may differ from product images.

Fireplace glass and other surfaces get extremely HOT and can cause severe burns if touched. Do not remove the protective safety screen from the front of the glass. Keep a safe distance away. To learn more visit www.fireplaces.com/fireplacesafety

