

Part number list on following page.

IMPORTANT: THIS IS DATED INFORMATION. When requesting service or replacement parts for your appliance please provide model number and serial number. All parts listed in this manual may be ordered from an authorized dealer.

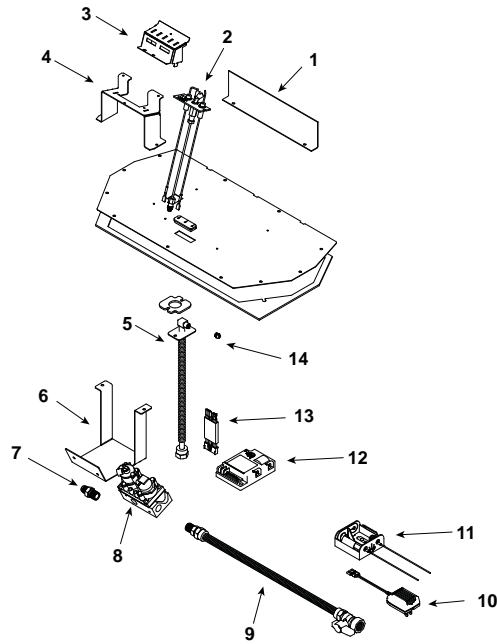


**Stocked  
at Depot**

ITEM	DESCRIPTION	COMMENTS	PART NUMBER	
1	Sheet Rock Ledge		2184-147	
2	Finish Edge	Right	2184-118	
		Left	2184-119	
4	Top Panel Finishing Edge		2184-102	
5	Non Combustible Board, Top		2198-403	
6	Non Combustible Board, sides	Qty 2 req	2198-404	
7	Cover Tray		2184-116	
8	Burner NG		2184-007	Y
	Burner LP		2184-008	Y
9	Base Pan		2198-115	
10	Glass Door Assembly		GLA-SLR	Y
3	Lower Cover Panel		2184-103	
11	Junction Box		4021-013	Y
12	Bracket Junction Box	Pre Dec 2009	N/A	
		Post Dec 2009	2195-154	
13	Thermostat Wire Assembly		2118-170	
	Elbow Heat Shield		2143-168	
	Exhaust Restrictor		530-299	
	Gasket Assembly Contains burner neck, shutter bracket, vent, seal cap, valve plate, and air passage gaskets		2113-080	
	Glass Latch Assembly	Qty 2 req	33858	Y
	Heat Shield, Inner		2198-130	
	Touch Up Paint		TUP-GBK-12	
	Wall Switch Kit		WSK-21-W	
	Conversion Kit NG		N/A	
	Conversion Kit LP		LPK-RAVE	Y
	Pilot Orifice NG		593-528	Y
	Pilot Orifice LP		593-527	Y
	Regulator NG		NGK-DXF	Y
	Regulator LP		LPK-DXF	Y

Additional service part numbers appear on following page.

**IPI Valve Assembly**



IMPORTANT: THIS IS DATED INFORMATION. When requesting service or replacement parts for your appliance please provide model number and serial number. All parts listed in this manual may be ordered from an authorized dealer.



**Stocked at Depot**

ITEM	DESCRIPTION	COMMENTS	PART NUMBER	
1	Bracket		2143-143	
2	Pilot Assembly NG		2090-012	Y
	Pilot Assembly LP		2090-013	Y
3	Pilot Shield		2184-123	
4	Pilot Bracket		2198-174	
5	Bulkhead W/Flex Tube		383-302A	Y
6	Valve Bracket	Pre Dec 2009	2184-153	
		Post Dec 2009	2198-153	
7	Male Connector	Pkg of 5	303-315/5	Y
8	Valve NG		593-500	Y
	Valve LP		593-501	Y
9	Flex Ball Valve Assembly		2098-320A	Y
10	3 Volt Transformer		593-593A	Y
11	Battery Pack		593-594A	Y
12	Module		593-592	Y
13	Module Wire Assembly		593-590A	Y
14	Orifice NG (#42C)		582-842	Y
	Orifice LP (.057C)		582-057	Y
	Access Panel Cover	Pre Dec 2009	2184-163	
		Post Dec 2009	N/A	
	Jumper Wires 21 in	Pre Dec 2009	2012-206	Y
		Post Dec 2009	N/A	