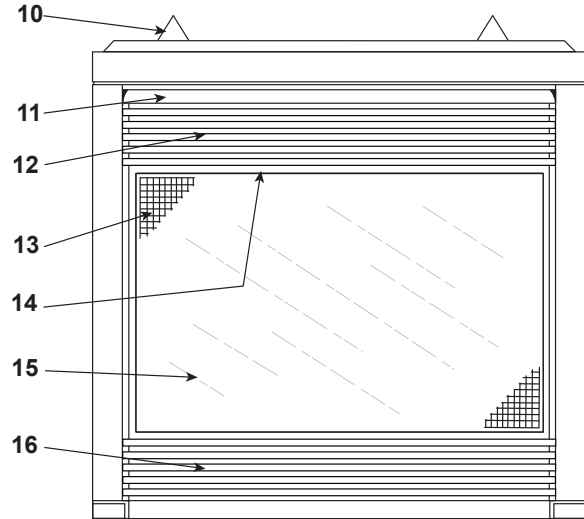
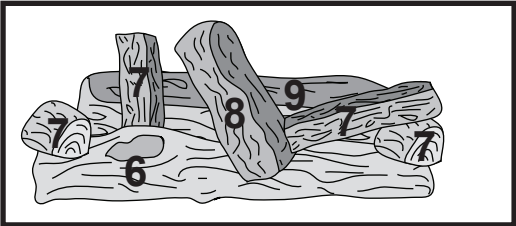
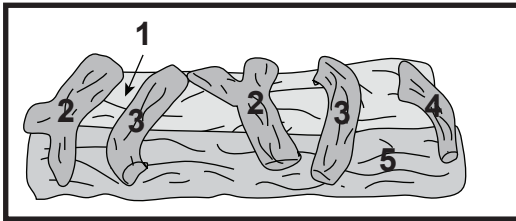


Log Set Assemblies



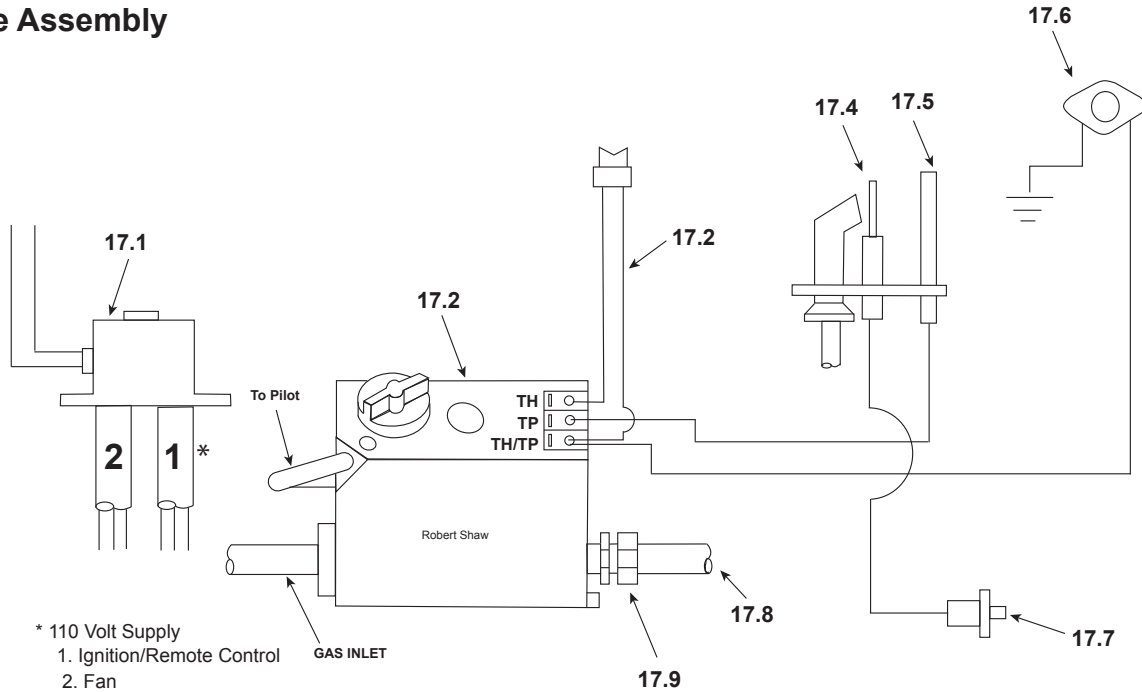
IMPORTANT: THIS IS DATED INFORMATION. Parts must be ordered from a dealer or distributor. **Hearth and Home Technologies does not sell directly to consumers.** Provide model number and serial number when requesting service parts from your dealer or distributor.



Stocked at Depot

ITEM	DESCRIPTION	COMMENTS	PART NUMBER	
	Log Assembly	No longer available	17311D	
	Back Log	No longer available	SRV16569	
	Front Log	No longer available	SRV17134	
	Middle Log	No longer available	SRV17133	
	Top Log	No longer available	SRV17229	
	Log Assembly - Post 50/94	No longer available	22633	
1	Back Log	No longer available	22892	
2	Side Log	No longer available	SRV21445	
3	Middle Log	No longer available	SRV21444	
4	Log	No longer available	19743A	
5	Front Log	No longer available	23506A	
	Split Log Assembly - 50/94	No longer available	23337A	
6	Front Split Log	No longer available	23195	
7	Log	No longer available	22544	
8	Top Middle Log	No longer available	22421	
9	Back Split Log	No longer available	23196	
10	Top Standoff	Qty 4 req	SRV4044-111	
11	Hood	No longer available	13441	
12	Grille, Upper	No longer available	17228B	
		No longer available	20942A	
13	Screen Assembly	No longer available	16472E	
14	Glass Frame	Qty 2 req	13376i	Y
15	Glass Panel		SRV13379	Y
16	Grille, Lower	No longer available	17233B	
		No longer available	19307	
		No longer available	20944	

#17 Valve Assembly



IMPORTANT: THIS IS DATED INFORMATION. Parts must be ordered from a dealer or distributor. **Hearth and Home Technologies does not sell directly to consumers.** Provide model number and serial number when requesting service parts from your dealer or distributor.



**Stocked
at Depot**

ITEM	DESCRIPTION	COMMENTS	PART NUMBER	
17.1	Junction Box		22130	Y
17.2	Valve (W/R) - NG		SRV71492	Y
	Valve (W/R) - LP	No longer available	71485	
	Valve (R/S) - NG		060-500	Y
	Valve (R/S) - LP		SRV25810	Y
17.3	Wall Switch Wire Assembly	No longer available	14720	
17.4	Pilot Assembly, NG		SRV4021-728	Y
	Pilot Assembly, LP		SRV4021-729	Y
17.5	Thermopile		2103-512	Y
17.6	High Limit Switch		SRV24968	Y
17.7	Push Button Ignitor		291-513	Y
17.8	Burner Supply Tube	No longer available	17073E	
		No longer available	22997A	
17.9	Brass Connector - Male		13425	
	Burner Orifice (.110) - NG		SRV17235	Y
	Burner Orifice (.063) - LP		SRV17236	Y

Additional service part numbers appear on following page.

IMPORTANT: THIS IS DATED INFORMATION. Parts must be ordered from a dealer or distributor. **Hearth and Home Technologies does not sell directly to consumers.** Provide model number and serial number when requesting service parts from your dealer or distributor.



**Stocked
at Depot**

ITEM	DESCRIPTION	COMMENTS	PART NUMBER	
	Air Deflector, Top	No longer available	16996B	
	Air Deflector, Bottom	No longer available	22998A	
	Brass Fitting 1/2 - 3/8		SRV27D7306	
	Brass Connector - Male	Pkg of 5	303-315/5	Y
	Burner Assembly	Pre 50/94	17202F	Y
		No longer available	22329E	
	Bulkhead - 90 degree	No longer available	21352A	
	Face, Bottom Front	No longer available	17085	
	Face, Top Front	No longer available	12697F	
	Face, Upper Front	No longer available	13883A	
	Flexline Assembly	No longer available	12303C	
	Glass Gasket	10 Ft	28091/10	Y
	High Limit Wiring Kit		25267A	Y
	Lava Rock		4021-296	
	Log Back Support, Front Log	No longer available	23562A	
	Log Support Plate, Back Log	No longer available	24966	
	Mineral Wool		SRV14333	
	Nailing Flange	Qty 4 req	SRV31190	
	ON/OFF Valve		SRV15697	Y
	Pilot Bracket	No longer available	17879A	
		No longer available	22323A	
		No longer available	22323B	
	Pilot Tube Kit		SRV446-301	Y
			26471	Y
	Silicone Gasket	10 FT	18476/10	Y
	Valve Bracket (R/S)		19303	
	Valve Bracket (W/R)	No longer available	18795D	
	Valve Shield	No longer available	22090A	
	Vermiculite		28746	
	Conversion Kit NG	Not available for White Rogers	CKN	Y
	Conversion Kit LP, must also order the LP Orifice .063		CKP	Y
			SRV17236	Y